



BROTHERS[®]
PHARMAMACH (INDIA) PVT. LTD.

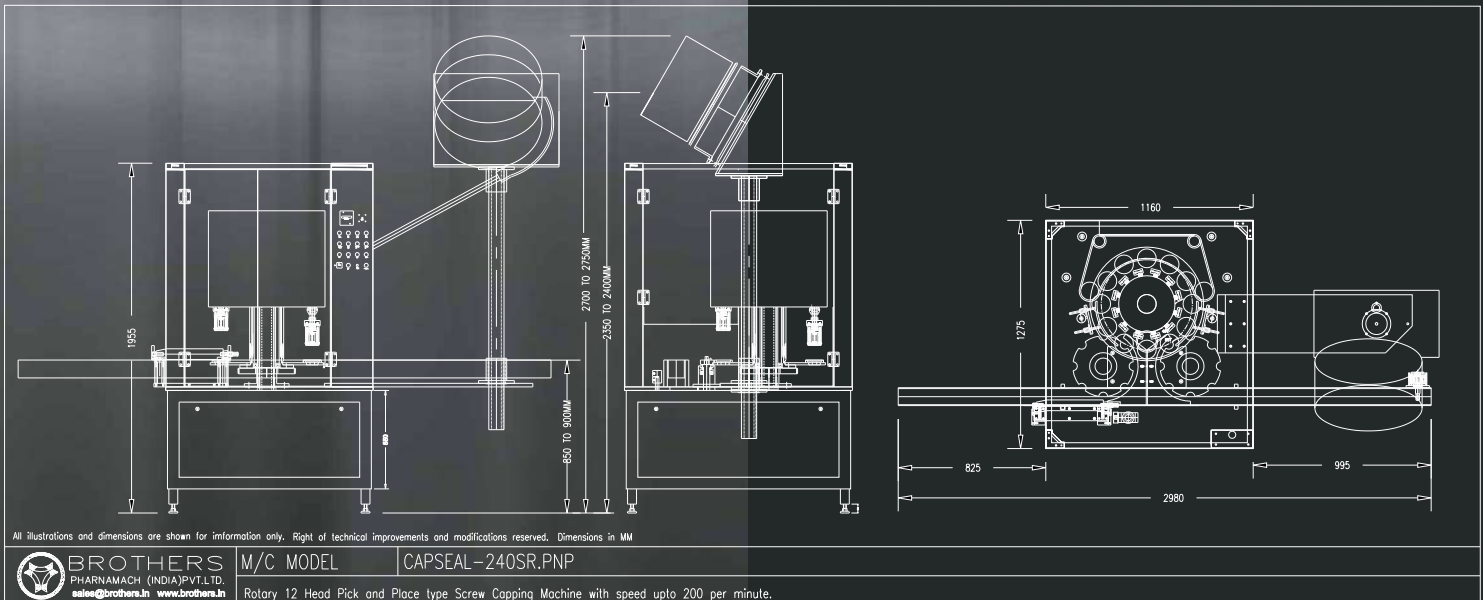
CAPSEAL 240SR.pnp



Automatic Twelve Head Pick N Place Bottle SCREW Capping Machine

The Automatic Twelve Head Rotary Pick and Place type Bottle Screw Capping Machine Model CAPSEAL-240SR^{PNP} for Plastic Screw Cap. Machine Capping head and design is suitable to handle CRC or other special shape cap for Round or other shape of Glass/Plastic/PET/HDPE or LDPE Bottles with maximum speed of 200 Bottles per minute depending on Bottle Diameter, Bottle Height, Bottle Shape and Cap Size. Machine with Pneumatically operated Gripper type capping head system for uniform capping on bottles. Specially Machine construction in Stainless Steel finish including machine M.S. frame structure with Stainless Steel Cladding/Enclosures. The Capping Machine is ideal for application in Pharmaceutical, Food, Pesticides, Cosmetic & Other Industries.

The Machine is equipped with Orientation type Cap Feeder or Vibratory type Bowl Feeder depending on cap shape and size for continues feeding of Cap for online operation on any liquid or powder filling line. Machine suitable for various sizes of Bottles and Plastic Screw Cap with the help of change parts. Capping Machine is suitable for application in Pharmaceutical and other Industries requiring higher production speed on automatic online operation.



TECHNICAL SPECIFICATIONS

Bottle Size : Diameter Up to 85mm* or other Shape bottle with proper base
 Bottle Height : 300mm* Maximum
 Cap Size : Upto 32mm*
 Air Consumption : 3 to 5 CFM
 Conveyor Height : 850-900 mm
 Overall Dimensions : 3000 mm (L) x 1300 mm (W) x 2200 mm (H)
 Compressed Air required appx. 6 Bar
 Speed : Max. 200 Bottles per minute depending on Bottle and Cap Size

UTILITY REQUIREMENT :

Filtered Compressed Air : 5 to 7 Bar Air Pressure
 Electrical : 415 VAC 3 Phase 50Hz and 220 VAC Single Phase Power Supply (50/60 Hz) with A.C. Drive
 Power : 4.5 Hp

* Specification can be changed as per customers requirements

SPECIAL/OPTIONAL * FEATURES :

- Pneumatically operated Gripper type capping head
- No Bottle - No Cap System
- No Cap - Machine Stop System
- Machine construction in Stainless Steel Finish
- In-feed and Exit Star Wheel with Overload Clutch System to avoid Bottle breakage
- Single Drive Synchronizing Total Operation of Star Wheel and Turret with Star Wheel
- Cap Feeder with Variable Speed System for feeding control of caps.
- Minimum Change Over and Setting time
- Hopper can be completely dismantle for easy cleaning
- Various safety features including Clutch system to avoid Bottle Breakage
- Single Drive synchronizing operation of Conveyor and Star Wheel
- Minimum Change over time

Email : sales@brothers.in
 Export : sales1@brothers.in

Phone : +91 79 40213213 / 25831346

www.brothersindia.com